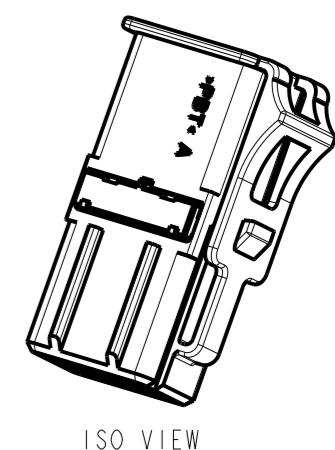
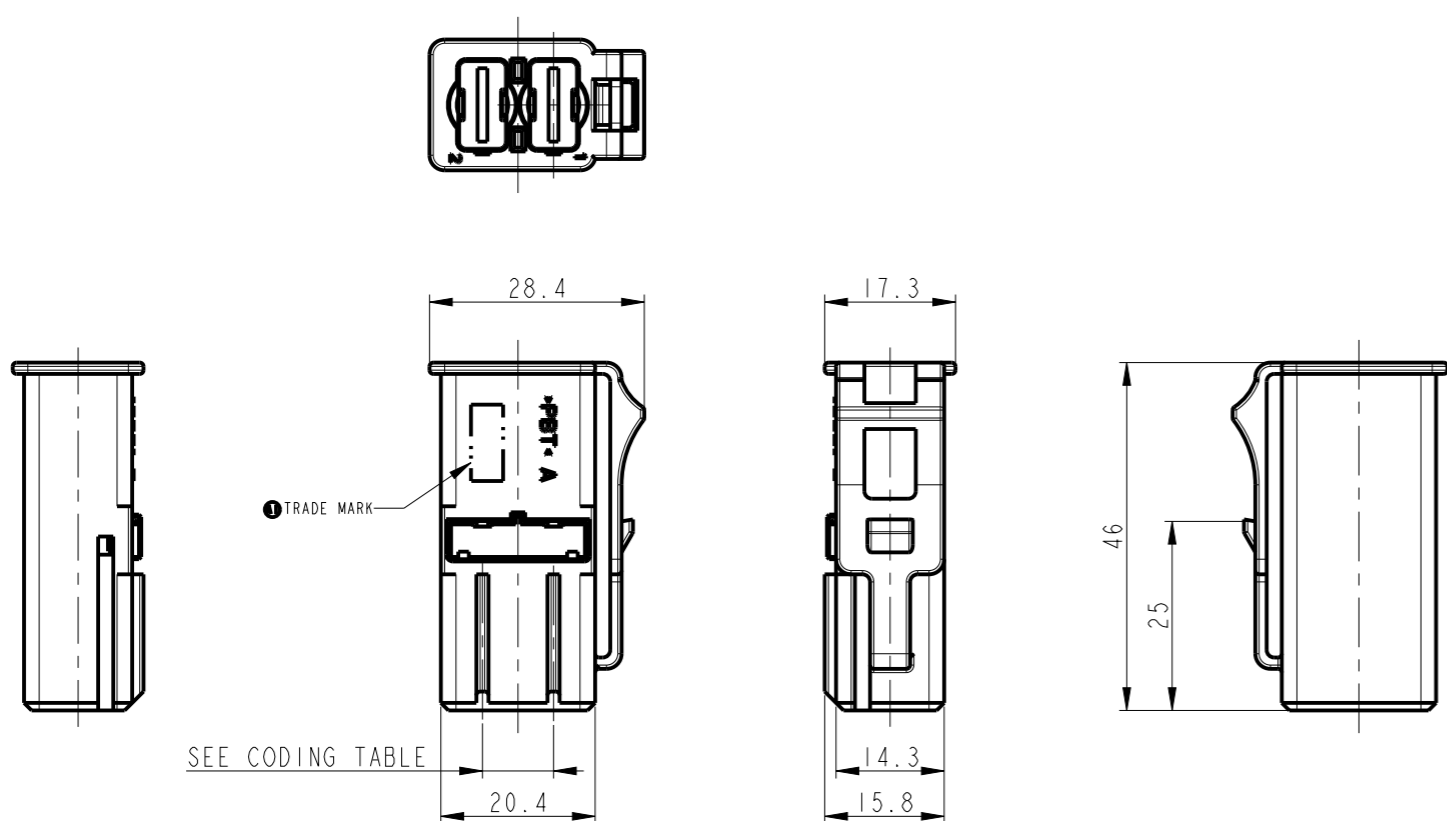


THIS DRAWING IS UNPUBLISHED. RELEASED FOR PUBLICATION 20
 © COPYRIGHT 20 BY - ALL RIGHTS RESERVED.

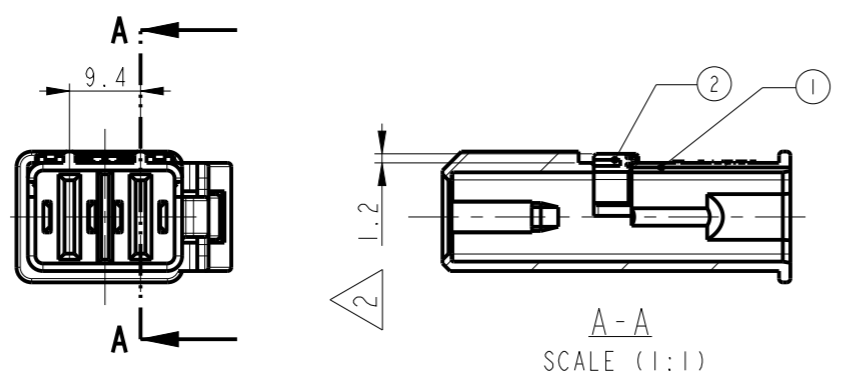
REVISIONS					
P	LTR	DESCRIPTION	DATE	DWN	APVD
	B	REVISED (ECR-13-015981)	29MAY2013	JM	HG
	B1	REVISED (ECR-21-104808)	10JUN2021	YH	YJ



NOTE,

1. GENERAL TOLERANCE : $\pm 0.3, \pm 3^\circ$
2. CONDITION OF DELIEVERY: DBL PLATE IN OPEN POSITION.
3. THE MATING HSG. P/N : 936616 (UNIT TYPE)
P/N : 1897198 (W TO W TYPE)
4. APPLICABLE CONTACT P/N :
MCP 9.5mm REC.; 1-967588-1, MAX INSULATION SIZE : 6.5mm
5. MATING & UNMATING FORCE :
2 POSITION ---> MAX 10Kgf

SEE CODING TABLE



① CODING TABLE

0-936619-6	1-936619-1	2-936619-3	3-936619-4	4-936619-7	5-936619-8
0-936619-4					
0-936619-2					
9.4	7.05	2.35	2.35	7.05	

2	COLOR	MATERIAL	DESCRIPTION	Q'TY									
				5-936619-8	4-936619-7	3-936619-4	2-936619-3	1-936619-1	0-936619-6	0-936619-4	0-936619-2		
	NATURAL	PBT	DBL HSG										
1	BLUE	PBT	2P PLUG HSG										
	GREEN	PBT	2P PLUG HSG										
	BROWN	PBT	2P PLUG HSG										
	GRAY	PBT	2P PLUG HSG										
	WHITE	PBT	2P PLUG HSG										
	RED	PBT	2P PLUG HSG										
	BROWN	PBT	2P PLUG HSG										
	BLACK	PBT	2P PLUG HSG										

THIS DRAWING IS A CONTROLLED DOCUMENT.		DWN JM JEON		TE Connectivity	
DIMENSIONS: mm		CHK JW JUNG			
TOLERANCES UNLESS OTHERWISE SPECIFIED:		APVD HG CHO		NAME MCP 9.5mm 2P PLUG ASS'Y	
0 PLC ±		PRODUCT SPEC -		SIZE A3	
1 PLC ±		APPLICATION SPEC -		CAGE CODE 00779	
2 PLC ±		WEIGHT -		DRAWING NO C-936619	
3 PLC ±		CUSTOMER DRAWING		RESTRICTED TO	
4 PLC ±		SCALE 1:1		SHEET 1 OF 1	
ANGLES ±		FINISH -		REV B1	
MATERIAL SEE TABLE material_2		FINISH finish_spec_2			